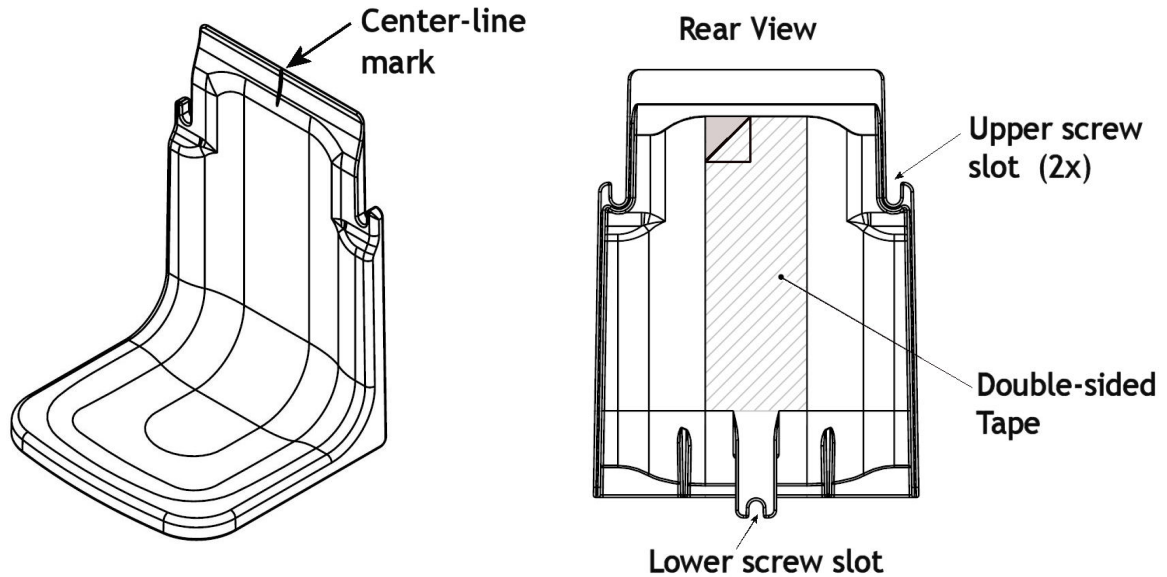


Drip Tray installation instructions



Tape Mounting:

Caution must be exercised to insure mounting surface is flat, free of imperfections, clean and dry. Tape mounting is only recommended for mirrors, or other similar flat surfaces free of imperfections.

- A. Clean flat surface with the provided towelette or other surfaces with an abrasive cleanser prior to using the towelette (depending on surface condition).
- B. Dry surface thoroughly.
- C. Measure and mark the center-line on the bottom of the dispenser under which the drip tray is to be placed. It is important to mark the bottom of the dispenser, not the wall, so the dispenser center-line can be viewed while positioning the drip tray for installation. Some new model dispensers have a center-line mark already in place, for all others, the center-line must be measured and marked.
- D. Remove protective backing from the double-sided mounting tape.
- E. Align the center-line mark of the drip tray (shown in the illustration to the above left) with the center-line of the dispenser under which the drip tray is to be mounted. This step is vital, as the drip tray will look unsightly if it is not centered under the dispenser.
- F. Making sure the drip tray is level and centered, firmly press the drip tray against the mounting surface for 30 seconds. Allow 24 hours for the tape to set.

Screw Mounting:

- A. Measure and mark the center line on the bottom of the dispenser under which the drip tray is to be placed. It is important to mark the bottom of the dispenser, not the wall, so the dispenser center-line can be viewed while positioning the drip tray for installation. Some new model dispensers have a center-line mark already in place, for all others, the center-line must be measured and marked.
- B. Align the center-line mark of the drip tray (shown in the illustration to the above left) with the center-line of the dispenser under which the drip tray is to be mounted. This step is vital, as the drip tray will look unsightly if it is not centered under the dispenser.
- C. Holding the drip tray level and centered under the dispenser, mark the wall in the location of the 2 upper and 1 lower screw slots of the drip tray.
- D. Remove the drip tray from the wall and drill holes in the locations you just marked. Use the appropriate drill size for #10 x 1" self tapping screws.
- E. Place appropriate sized anchors into the newly drilled holes. The anchors must be placed so they are flush against the wall.
- F. Place the drip tray on the wall and align it with the newly drilled holes, also checking to make sure the center-lines of the dispenser and drip tray still align correctly. Insert and carefully tighten #10 x 1" self tapping screws through the screw slots in the drip tray. Be sure not to over-tighten the screws. Screws must be used in all 3 screw slots for the drip tray to remain in place correctly.