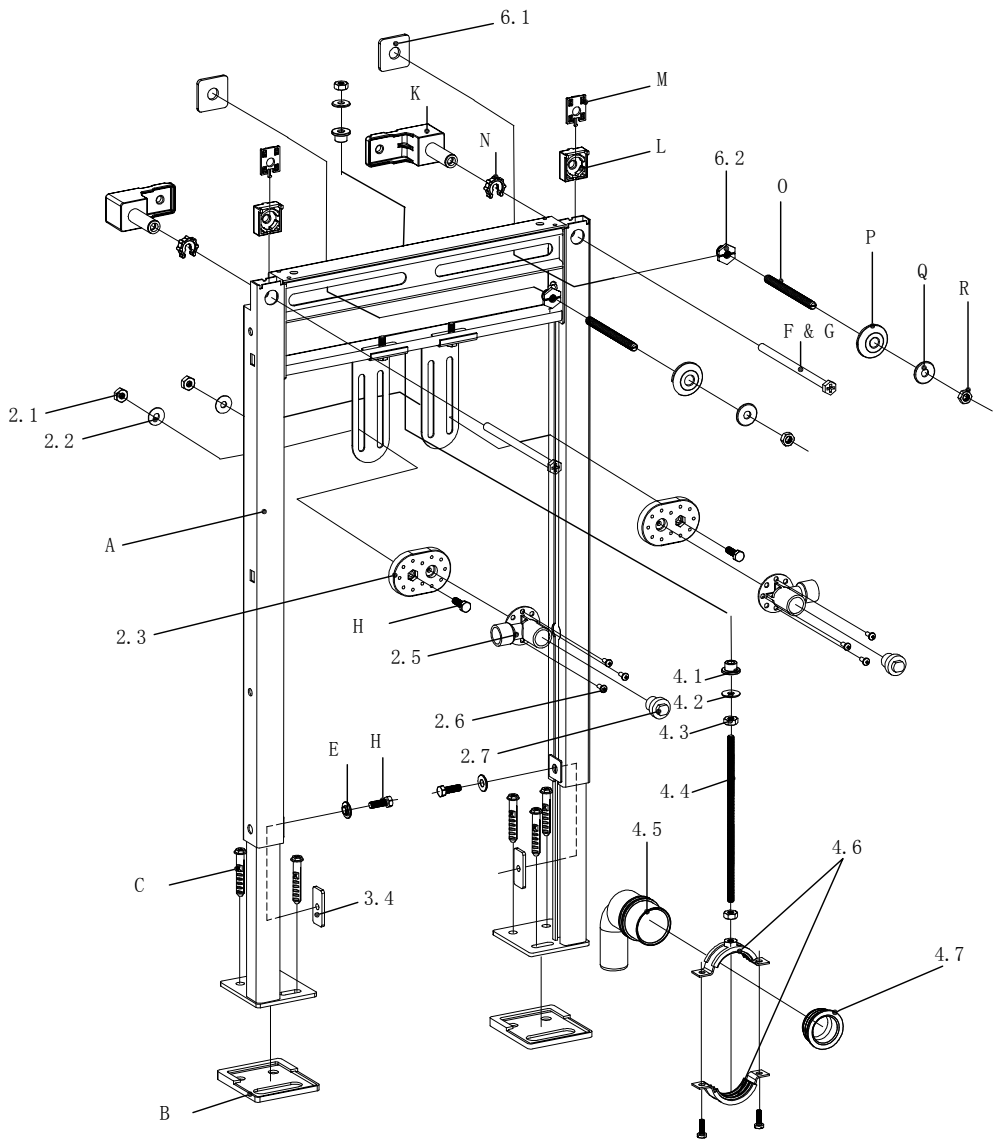


installation instructions

Basin Frame 1180X500mm

Basin Frame 820-980X500mm













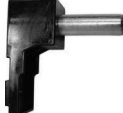








Item	Name	Quantity
A	Basin Frame	1
B	Rubber Sound Deadening Pad for Feet	2
C	M6 x 65mm Coach Bolt	6
D	White Wall Plug 10mm	6
E	M6 Washer	6
F	M10 x 180mm Bolt	2
G	M10 x 110mm Bolt	2
H	M8 x30mm Bolt	2
I	M8 Washer	2
J	Unistrut Fixing	2
K	Wall Fixing Foot	2
L	Bolt Location Block	2
M	Bolt Retaining Clip	2
N	M10 Push Fit Fastening Nuts	6
O	M10 x 120mm Threaded Rod	2
P	White Basin Washer	2
Q	M10 Washer	2
R	M10 Nut	2

Basin Frame incorporating:

Item	Description	Code	Quantity
2.1	Nut	212102	2
2.2	Washer	270069	2
2.3	Elbow Fixing Block	1K965	2
2.5	Brass Elbow 1/2" F - 1/2" F	271106	2
2.6	Self Tapping Screw	211195-1	6
2.7	Debris Stopper	103194	2
4.1	Bush	30864	2
4.2	Washer	270069	1
4.3	Nut	212102	2
4.4	Bolt	234043	1
4.5	Waste Pipe	1K968	1
4.6	Waste Pipe Clamp	K80903	1
4.7	Waste Pipe Seal	30845	1
6.1	Square Nut	212116	2
6.2	Nut	212117	2

Installation instructions

Parts supplied

- | | | | |
|---------------------------------------------------------------------------------------------------------------------------------------------------------------------------------|-------------------------------------------------------------------------------------------------|-------------------------------------------------------------------------------------------------|-------------------------------------------------------------------------------------------------|
| A
 | B
 | C
 | D
 |
| 1 x Basin Frame
(incorporating 1 x 1 1/4" Waste Elbow with Rubber Insert, 2 x Oval Sound Deadening Pad, 2 x Brass Elbow 1/2" Female - 1/2" Female, 2 x Elbow Debris Stopper) | 2 x Rubber Sound Deadening Pad for Feet | 6 x M6 x 65mm Coach Bolt | 6 x White Wall Plug 10mm |
| E
 | F
 | G
 | H
 |
| 6 x M6 Washer | 2 x M10 x 180mm Bolt | 2 x M10 x 110mm Bolt | 2 x M8 x 30mm Bolt |
| I
 | J
 | K
 | L
 |
| 2 x M8 Washer | 2 x Unistrut Fixing | 2 x Wall Fixing Foot | 2 x Bolt Location Block |
| M
 | N
 | O
 | P
 |
| 2 x Bolt Retaining Clip | 6 x M10 Push Fit Fastening Nuts | 2 x M10 x 120mm Threaded Rod | 2 x White Basin Washer |
| Q
 | R
 | S
 | |
| 2 x M10 Washer | 2 x M10 Nut | 2 x Chrome Isolation Valve & Bush | |

Important Information

PLEASE READ THESE INSTRUCTIONS THOROUGHLY BEFORE STARTING INSTALLATION.

Check the pack and make sure you have all the parts listed.

Remove all cardboard protection attached to the frame prior to installation.

All floor types need to be as flat and level as possible.

When drilling or fixing into walls or floor it is essential that you check for pipes or wires before commencing.

Certain spare parts and additional components are available if necessary and these can be obtained from your merchant.

When you are ready to start, make sure that you have the right tools to hand and that the installation area is clean and dry.

When drilling or fixing into walls or floors it is essential that you check for pipes and wires before commencing.

Site Preparation

All floor types need to be clean, dry and dust free.

All floor types need to be as flat and level as possible.

Floor boards must be securely fixed down prior to installation.

Adjusting the frame

The frame feet can be adjusted to allow for uneven floors and finished floor build up . The frame allows for an additional 280mm adjustment on the standard height. Using a spanner or socket, loosen the bolts just above the feet and extend the feet to your desired height. Ensure that the frame is square using a level before tightening the bolts using a socket or spanner.

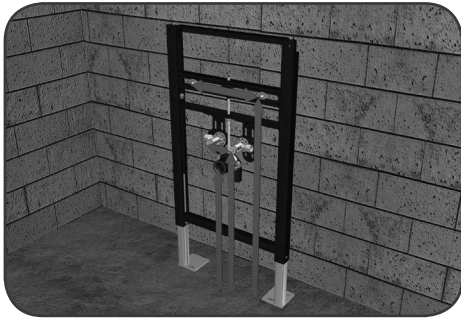
The internal frame (incorporating the basin fixing points and brass elbows) will need to be lowered to the desired height. Loosen the bolts on either side of internal frame and lower the unit appropriately. Ensure that the internal frame is square using a level before tightening the bolts using a socket or spanner.

Before You Start

The first phase of installation is the securing of the frame to wall and floor. There are two methods of installation; either individual fixing or unistrut (rail) mounted fixing. The unistrut (rail) mounted system is normally used where multiple frames are to be mounted next to each other, i.e., a basin frame next to a WC frame or a row of frames. This is also the best option when fixing to stud walls rather than solid walls. Bypass Step 2 if you plan to individually fix the frame.

Tools required (not supplied)

- Tape Measure
- Level
- Pencil
- Electric Drill
- 10mm Drill Bit
- Screwdriver PH3
- Large Straight Blade Screwdriver
- Spanner / Socket Set
- Hacksaw
- PTFE Tape



Step 1

Important! Set the frame to the basin manufacturer's recommendations for the fixing bolts, Hot & Cold feed and waste elbow location / spacing.

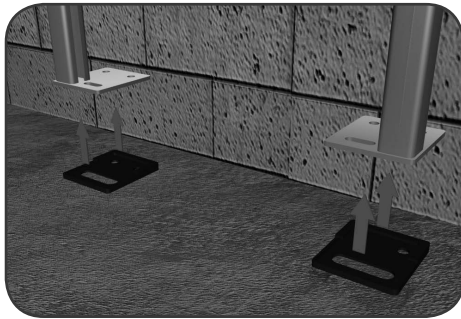


Step 2

First ensure that the rail is the correct length for the frames to be mounted. If necessary, cut the rail to the required length (standard sizes available are 1.08m, 1.8m & 3.0m) using a hacksaw. Mark a horizontal line 80mm lower than the top of your frame using a pencil i.e., if the frame is the standard height of 820mm, you should mark your horizontal line at 740mm.

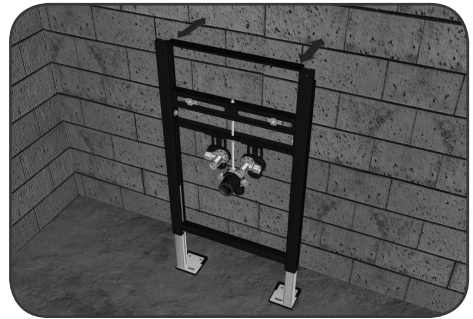
Using the pencil line as the centre point for the rail, secure it to the wall using the fixings supplied and ensure that it is mounted evenly using a level.

Note: For individual installation please omit this step.



Step 3

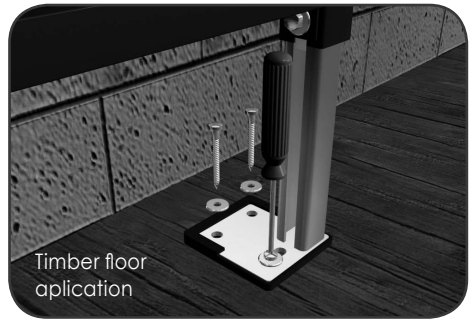
Fix the Rubber Sound Deadening Pads (B) to the Basin Frame (A) feet. These help reduce noise transmission.



Step 4

Space the frame off the back wall to the required distance. The minimum installation depth is determined generally by the width of the frame leg, plus the services running behind the frame. A tolerance of 120 - 265mm from wall to front face of the frame can be achieved with standard 'in the box' parts.

Note: An extension set is available which offers a further 160mm and can be purchased from the Sales Office.



Step 5

Using a pencil, mark through the four holes in the Basin Frame (A) feet the fixing hole positions.

Timber floor application

Secure the feet into position by fixing the four M6 x 65mm Coach Bolts (C) and four M6 Washers (E) using a PH3 Screwdriver or Spanner and the pencil marks as a guide.

In the event of the Coach Bolts (C) being unsuitable for your particular application, please replace these items with your choice of comparable fixing.

Solid floor application

Drill four holes in the floor using a drill and 10mm drill bit using the pencil marks as a guide. Insert the four 10mm White Wall Plugs (D) into the holes. Secure the feet into position by fixing the four M6 x 65mm Coach Bolts (C) and four M6 Washers (E) using a PH3 Screwdriver or Spanner and the Wall Plug locations as a guide.

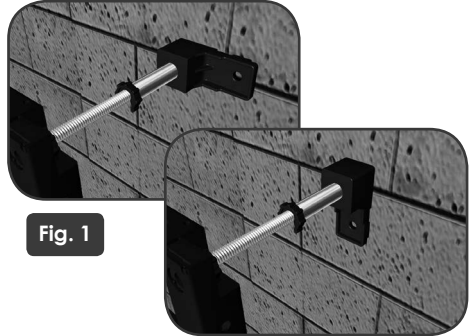
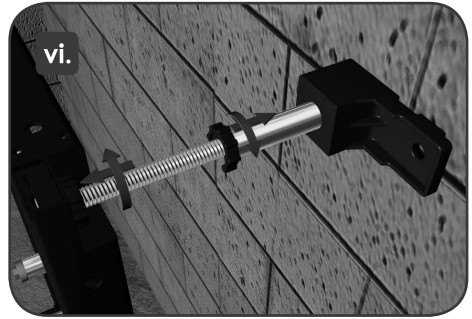
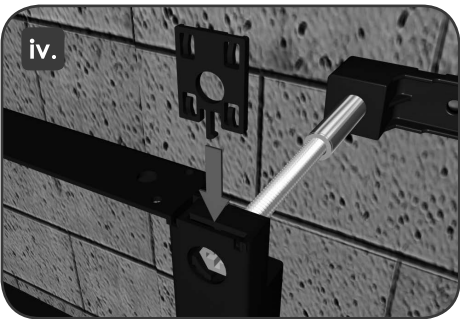
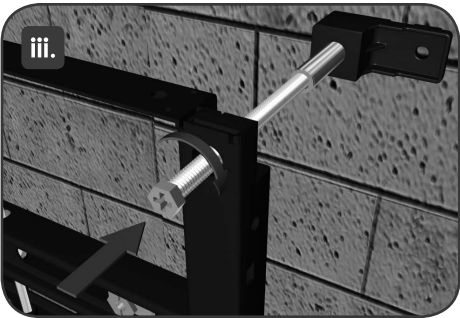
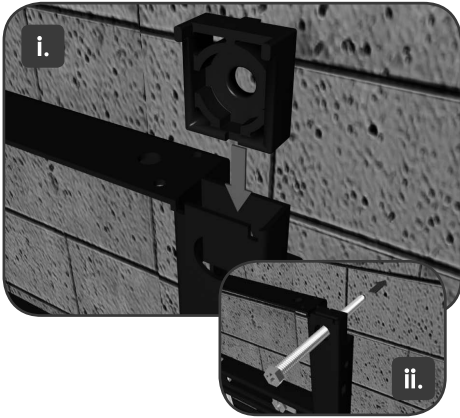


Fig. 1

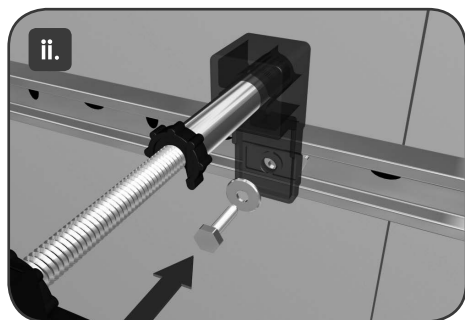
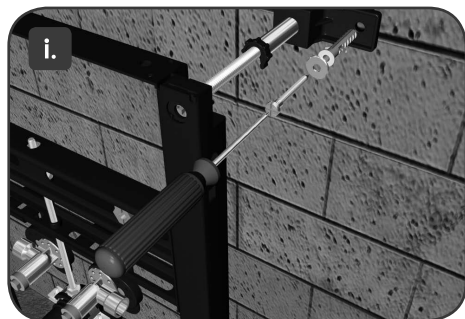
Step 6

Place the two Bolt Location Blocks (L) into either side of the top frame profile. Dependant on the depth required and measured in Step 3, take either the two M10 x 180mm Bolts (F) for a tolerance of 120 - 200mm, or the two M10 x 110mm Bolts (G) for a tolerance of 190 - 265mm. Thread the two bolts (F) or (G) through the Bolt Location Blocks (L).

Fasten the two Wall Fixing Feet (K) to the bolts (F) or (G) to the desired depth measured in Step 3. The wall fixing feet can be fixed to the wall in a number of ways (See Fig. 1). Generally they should be installed with the screw hole pointing downwards for unistrut (rail) or individual fixing, however where achievable, they can be installed with the screw holes pointing outwards for ease of fixing.

Insert the two Bolt Retaining Clips (M) into either side of the top frame profile with the raised face to the front. This captivates the bolts whilst still allows for tightening with a straight bladed screwdriver as needed. Fit two M10 Push Fit Fastening Nuts (M) per bolt; the first at either end of the thread to lock the bolt into position.

Note: To achieve a minimum depth of 120mm you should only affix one M10 Push Fit Fastening Nut (M) per bolt and not two as instructed above.



Step 8

Connect the two M10 x 120mm Threaded Rods (O) to the Basin Frame (A).

Step 7

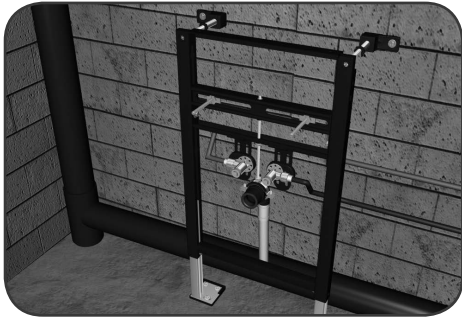
Using a pencil, mark through the two holes in the Wall Fixing Feet (K) the fixing hole positions.

Solid wall fixing

Drill two holes in the wall using a drill and 10mm drill bit using the pencil marks as a guide. Insert the two 10mm White Wall Plugs (D) into the holes. Secure the feet into position by fixing the two M6 x 65mm Coach Bolts (C) and two M6 Washers (E) using a PH3 Screwdriver and the Wall Plug locations as a guide.

Unistrut (Rail) Fixing

Insert the two unistrut fixings (J) into the unistrut (rail), then attach the Wall Fixing Feet (K) to the unistrut using one M8 x 30mm Bolt (H) and one M8 Washer (I) per Wall Fixing Foot (K).



Step 9

Connect the Hot & Cold Water Supply to the two Brass Elbows 1/2" Female – 1/2" Female and connect the Basin Waste pipework to the 1 1/4" Waste Elbow with Rubber Insert. Ensure that all connections are tested for leaks. Install any other pre-wall frames as required and install either timber or metal studwork either side of the frame/ before then plaster boarding and tiling.

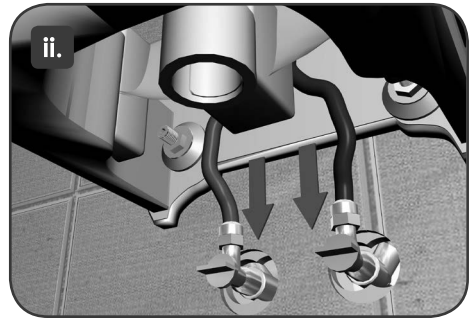
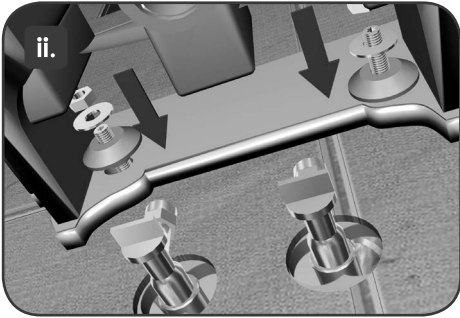
Note: The frame comes with holes in either leg; these can be used to fix a screw into the studwork at either side for added strength as required.

*** The frame is now ready for 2nd Fix Installation ***



Step 10

Remove the debris stoppers from the two Brass Elbows 1/2" Female – 1/2" Female and fit the two Chrome Isolation Valves (S) using a layer of PTFE tape.



Step 11

Offer the basin (not supplied) into position then secure to the wall using the two M10 x 120mm Threaded Rods (O), two White Basin Washers (P), two M10 Washers (Q) and two M10 Nuts (R).

Step 12

Fix the basin mixer & waste (not supplied) to the basin (not supplied), then connect the 10mm tap tails to the Chrome Isolation Valves (S). In the event that the tails are 3/8" Female, discard the nut & olive from either Chrome Isolation Valve (S) and fit the tap tails using a layer of PTFE tape. If the tails are 1/2" Female use the supplied Bush.



Step 13

Fix the bottle trap (not supplied) to the basin waste (not supplied) and secure the waste into the 1 1/4" Waste Elbow with Rubber Insert using silicone grease.

For any further information please contact your merchant

The manufacturer reserves the right to make technical modifications without prior notice.