



# **installation** instructions

Easi-Plan Concealed Cistern Dual Flush

# installation instructions

## Parts supplied



**A**  
1 x Dual Flush Cistern  
(Including Removable Siphon with Integrated Chrome Finish Push Button Assembly, Removable Ball Valve & Cistern Cover)



**B**  
2 x Cistern Bracket



**C**  
2 x Screw



**D**  
2 x White Wall Plug 5mm



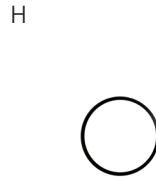
**E**  
1 x Flush Pipe (Upper Section)



**F**  
1 x Flush Pipe (Lower Section)



**G**  
1 x Flush Pipe (Horizontal Section)



**H**  
1 x Plastic O Ring



**I**  
1 x Black Rubber O Ring



**J**  
1 x Black Rubber Corrugated Bung

## Tools required (not supplied)

- Tape Measure
- Level
- Pencil
- Electric Drill
- 5mm Drill Bit
- Screwdriver PH3
- Hacksaw
- PTFE Tape
- Large Straight Blade Screwdriver

## Important Information

### **PLEASE READ THESE INSTRUCTIONS THOROUGHLY BEFORE STARTING INSTALLATION.**

Check the pack and make sure you have all the parts listed.

When drilling or fixing into walls or floor it is essential that you check for pipes or wires before commencing.

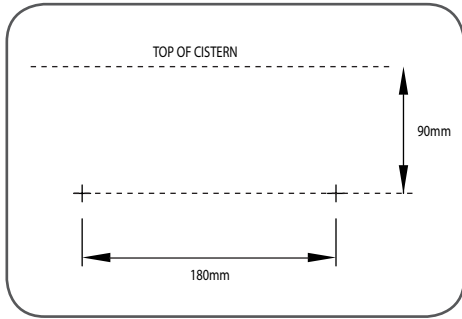
### **Site Preparation**

All floor types need to be clean, dry and dust free.

All floor types need to be as flat and level as possible.

Floor boards must be securely fixed down prior to installation.





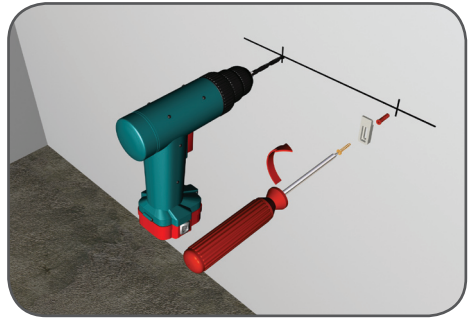
### Step 1

The Cistern can be mounted at a height to suit your particular application\* since the flush pipe assembly can be cut to suit.

Also bear in mind that the Push Button is directly attached to the Siphon and is of a fixed length, i.e., the wire cannot be lengthened or shortened, therefore it is advisable to check this for suitability prior to installation.

\*Max height achievable from centre of Flush Pipe to top of Cistern is 445mm to 965mm however due to Flush Pipe connection section, 630 – 730mm from centre of flush pipe to the top of Cistern is not achievable.

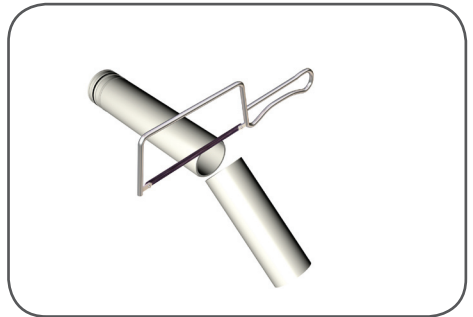
Decide your required height for the top of the cistern and mark a straight line on the wall or unit behind using a pencil and level. Mark a second line 90mm beneath this to indicate the bracket height, and mark the proposed centre point of the cistern. Measure 90mm to the left and right of this centre point and mark these points with a pencil (See fig. 1).



### Step 2

Fix the 2 No. Cistern Brackets (B) using 2 No. Screws (C) using the pencil marks as a guide. Alternatively, if you are fixing into a solid wall, drill two holes in the wall using a drill and 5mm drill bit using the pencil marks as a guide. Insert the two 5mm White Wall Plugs (D) into the holes and fix the 2 No. Cistern Brackets (B) using 2 No. Screws (C).

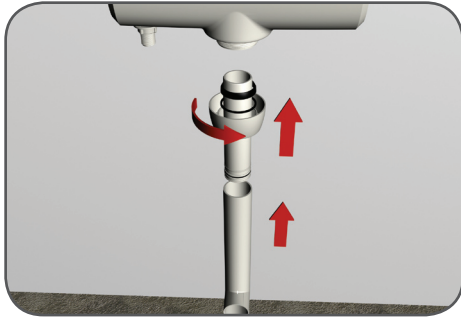
The Cistern hooks over the Cistern Brackets for easy removal.



### Step 3

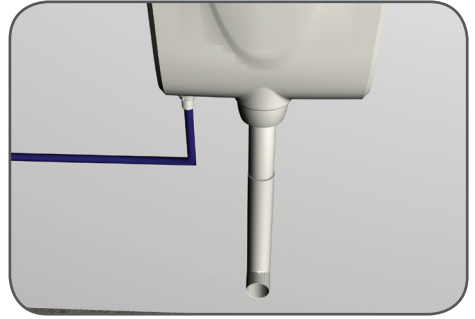
Cut down the flush pipe assembly as required to achieve the cistern height. If you are installing to the standard height of 965mm from Flush Pipe to top of Cistern, go to step 4.

Using a hacksaw, cut down either the Flush Pipe (Upper Section) (E) to achieve 730 – 965mm or cut down the Flush Pipe (Lower Section) (F) and disregard Flush Pipe (Upper Section) (E) to achieve 445mm – 630mm.



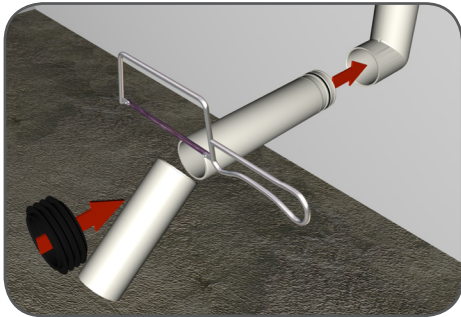
#### Step 4

Unscrew the connection joint from the base of the cistern and place this over the top of the Flush Pipe. Place the Plastic O Ring (H) and Black Rubber O Ring (I) a little way down from the top of the flush pipe as shown in fig. 2. Connect the Flush Pipe to the base of the cistern ensuring that the Flush Pipe is pushed firmly into the cistern. Hand Tighten the connection joint back into the base of the cistern to fully secure the Cistern and Flush Pipe together.



#### Step 5

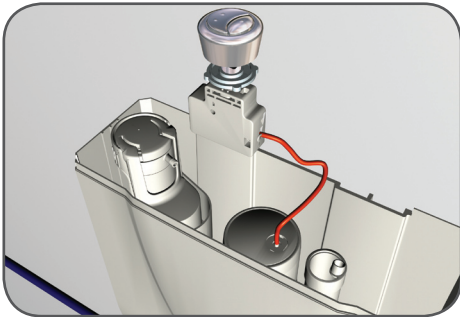
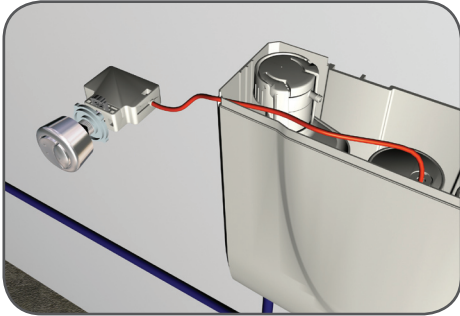
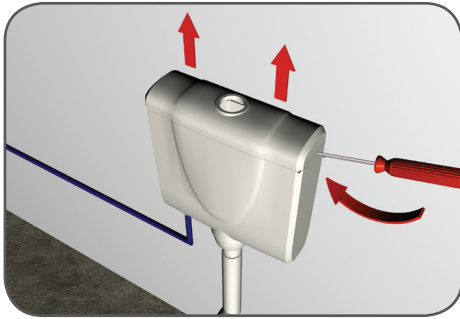
Connect the cold water connection to the Ball Valve Water Inlet pre-fixed in the base of the Cistern wall using a thick layer of PTFE Tape. Check that the nut at the base of the cistern holding the Ball Valve in place is securely tightened to avoid any leaks. Note: Ensure that the water connection is isolated at this stage.



#### Step 6

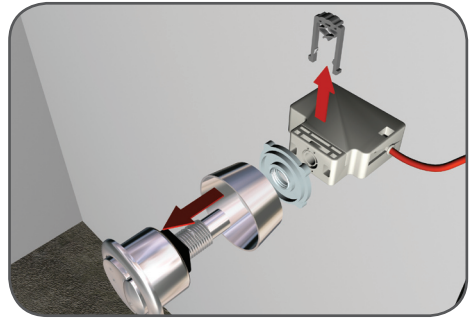
Connect the Flush Pipe (Horizontal Section) (G) into the Flush Pipe (Lower Section) (F) and cut down the Flush Pipe (Horizontal Section) (G) to suit your Pan. Install the Black Rubber Corrugated Bung (J) over the Flush Pipe.

**\*\* The frame is now ready for 2nd Fix Installation, however please ensure that you have access to the void space so that the Push Button can be fixed into place \*\***



**Step 7**

Remove the Cistern lid using a Flat Bladed Screwdriver to expose the Ball Valve & Siphon. The Push Button mechanism is directly connected to the Siphon, therefore the location of the button is determined by the length of the button wire. The Cistern has a slot in either side to allow for the button to be positioned to the left or right front face. Alternatively, there is a slot across the back of the Cistern should you wish to position the button on the top face of a unit.



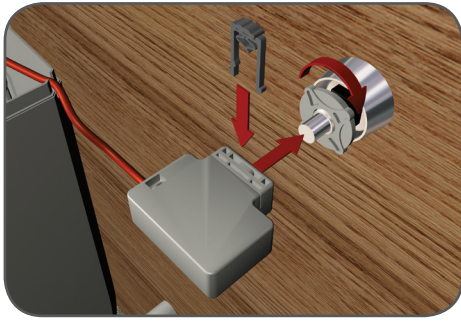
**Step 8**

Unclip the Push Button from the wire assembly by depressing the grey clip at the base of the unit and disconnect. Unscrew the white nylon nut from the Push Button and put aside together with the chrome back plate.



**Step 9**

Drill a hole of 40mm Diameter for the Push Button mounting taking into the location constraints mentioned in Step 7, then insert the Push Button into position. Clamp into place using either the white nylon nut (30 – 40mm thickness achievable) or white nylon nut and chrome back plate (10mm – 25mm).



### Step 10

Clip the Push Button to the wire assembly by depressing the grey clip at the base of the unit and connect together.

### Step 11

Install your pan to the manufacturers recommendations. Connect the Flush Pipe (Horizontal Section) (G) & Black Rubber Corrugated Bung (J) to the rear of the pan and connect your soil pipe (not supplied).

**Note:** You should make provisions for future access to the cistern, either in the form of a service panel or removable top.

## Maintenance Assistance

**Important!** Before inspecting either the Ball Valve or Siphon, please ensure that the water supply to the cistern has been isolated.

### Ball Valve Maintenance

The Ball Valve float can be adjusted to raise or lower the water level within the cistern if required. Gently rotate Ball Valve a notch anti-clockwise; this allows the float section to be raised or lowered to the desired level. To set the float in place, rotate the Ball Valve a notch clockwise.

The top float section can be replaced. Grip the top section of the ball valve and firmly twist a quarter turn anti-clockwise to remove. The section can be installed back into position by twisting a quarter turn clockwise to lock back into position.

### Siphon Maintenance

The siphon can be replaced as required. Firstly, Unclip the Push Button mechanism from the Push Button by depressing the grey clip at the base of the unit and disconnect. Remove the Siphon by applying pressure to the clips on either side of the siphon to release it from the basket. It can be installed back into position by re-seating into the basket; the clips should click back into place to secure.

**If you require any assistance or advice please contact your merchant**

The manufacturer reserves the right to alter specifications without notice.